



Technical Note: A minimally invasive experimental system for $p\text{CO}_2$ manipulation in plankton cultures using passive gas exchange (atmospheric carbon control simulator)

Brooke A. Love, M. Brady Olson, and Tristen Wuori

Shannon Point Marine Center, Western Washington University, 1900 Shannon Point Drive, Anacortes, WA, 98221, USA

Correspondence to: Brooke A. Love (brooke.love@wwu.edu)

Received: 23 November 2016 – Discussion started: 8 December 2016

Revised: 24 March 2017 – Accepted: 19 April 2017 – Published: 29 May 2017

Abstract. As research into the biotic effects of ocean acidification has increased, the methods for simulating these environmental changes in the laboratory have multiplied. Here we describe the atmospheric carbon control simulator (ACCS) for the maintenance of plankton under controlled $p\text{CO}_2$ conditions, designed for species sensitive to the physical disturbance introduced by the bubbling of cultures and for studies involving trophic interaction. The system consists of gas mixing and equilibration components coupled with large-volume atmospheric simulation chambers. These chambers allow gas exchange to counteract the changes in carbonate chemistry induced by the metabolic activity of the organisms. The system is relatively low cost, very flexible, and when used in conjunction with semi-continuous culture methods, it increases the density of organisms kept under realistic conditions, increases the allowable time interval between dilutions, and/or decreases the metabolically driven change in carbonate chemistry during these intervals. It accommodates a large number of culture vessels, which facilitate multi-trophic level studies and allow the tracking of variable responses within and across plankton populations to ocean acidification. It also includes components that increase the reliability of gas mixing systems using mass flow controllers.

increased dramatically over the last decade, and while the scientific community has begun to set standards for data acquisition and experimental design (Cornwall and Hurd, 2015; Dickson et al., 2007; Riebesell et al., 2010), experimental approaches remain diverse because of the wide scope and variety of questions. While many innovative systems are in use, most are not well suited to relatively long-term maintenance of organisms that are sensitive to continuous bubbling or cannot accommodate a large number of culture vessels. These are both key characteristics for cross-trophic level or cross-generational studies in plankton, e.g., tracking ontogenesis of crustacean zooplankton populations. In addition, static control of chemistry has been criticized (Wahl et al., 2015b) and systems which are capable of simulating natural variability in conditions are of particular interest.

The atmospheric carbon control simulator (ACCS) uses passive gas exchange to simulate the effect of atmospheric exchange in modulating the effects of photosynthesis and respiration on surface water chemistry without undue physical disturbance of delicate planktonic organisms. This approach mimics real conditions in surface and near-shore waters where the disequilibrium caused by photosynthesis and respiration is subject to partial re-equilibration through air–sea gas exchange. The ACCS is particularly suited for phytoplankton and zooplankton work because it helps to maintain carbonate chemistry with minimal physical stress, and accommodates numerous culture vessels, which are useful in tracking variability associated with zooplankton feeding and reproductive metrics. The system is not limited to passive gas exchange for carbonate chemistry control. Direct bubbling can be used to maintain cultures or to pre-equilibrate media for semi-continuous cultures (described below). The

1 Introduction

Ocean acidification (OA) is the process by which increasing atmospheric CO_2 leads to increasing dissolved CO_2 in marine waters and a suite of chemical and biological responses driven by this change. Manipulative OA research has

ACCS is designed to accommodate differing trophic levels through its ability to accommodate culture vessels of varying number, size and shape, which is not possible in many other systems. The ACCS can also be used with differing levels of desired carbonate control, re-equilibration, or metabolically driven cycling by changing the biomass concentration in the vessels (which is typical in many systems), but also by controlling the surface area to volume ratios in the cultures and therefore the efficiency of re-equilibration with the supplied atmosphere.

On the broadest scale, experimental approaches to studying OA are classified as microcosms or mesocosms. Mesocosm studies have increased in number in recent years and are well suited to address questions about OA effects on biological communities, while work in microcosms has been criticized because small volumes may have increased enclosure effects and limited realism (Hendriks et al., 2010; Stewart et al., 2013; Wernberg et al., 2012). Although the ACCS is a microcosm system and has limited potential for a realistic simulation of the complexities of community dynamics in a changing ocean, microcosms do have a strong role to play in elucidating the underlying mechanisms that drive those dynamics. The detailed species and interspecies level effects observed in microcosms can be coupled with whole community experiments or observations of natural systems and enhance the interpretation of both types of study (e.g., Webb et al., 2016).

Many studies of planktonic organisms (particularly autotrophs) employ dilute batch culture, where seawater media pre-conditioned to the appropriate chemistry is inoculated at a low density, sealed, and allowed to grow for a limited period of time (e.g., Eberlein et al., 2016; Hoins et al., 2016; Wilcox-Freeburg et al., 2013; Zhang et al., 2015). Changes in water chemistry can exceed 1 pH unit and 15 % of DIC during the course of the batch culture when biomass is high or duration is long (Brutemark et al., 2015). Dilute batch culture systems are not well suited for zooplankton studies because cultures are subject to gas exchange each time they are opened for feeding, and dilute cultures of prey can cause encounter rates to limit growth and grazing rates of zooplankton.

A common modification of this batch technique is to bubble CO_2 /air mixtures directly into the culture vessels (Kremp et al., 2012; Neale et al., 2014; Talmage and Gobler, 2009). This allows CO_2 and O_2 to re-equilibrate to target concentrations constantly over the course of the experiment. Plankton cultures aerated in this way can achieve somewhat higher densities while still maintaining carbonate chemistry, but this is not appropriate for organisms which are sensitive to turbulence and the shear stress that is induced by bubbling (Gifford, 1993; Riebesell et al., 2010; Shi et al., 2009; Wolfe et al., 2002). We observed possible detrimental effects of bubbling, including reduced growth rates and formation of aggregates during culturing of autotrophic dinoflagellates which were resolved when cells were cultured under passive

gas exchange conditions (unpublished data). Direct bubbling of cultures also dampens or eliminates diurnal cycling in carbonate chemistry, which may not be desirable.

Several systems are in use which modify the carbonate system by active control of the introduction of CO_2 into the water, activating CO_2 addition only when pH is above the set point for a given treatment (e.g., Hoffmann et al., 2013; Isari et al., 2016; MacLeod et al., 2015; Wilcox-Freeburg et al., 2013). These systems have several advantages, including little to no mechanical stress, and the potential to control diurnal chemical cycles. They may be batch or flow through in nature. One drawback is that each culture vessel usually requires its own independent pH control circuit or valve port, which limits the number of replicates or treatments which can reasonably be accommodated.

The addition of small amounts of water saturated with CO_2 is also an effective method to gently increase $p\text{CO}_2$ (Garzke et al., 2016; Paul et al., 2016; Riebesell et al., 2010; Runge et al., 2016), but when applied to microcosms, must be coupled with semi-continuous techniques to avoid the limitations noted for batch culture techniques described above.

In semi-continuous cultures, a portion of the volume is periodically replaced with fresh media of the appropriate chemistry in order to maintain cultures in exponential growth and semi-static population abundance (Feng et al., 2008; Fu et al., 2007; Hutchins et al., 2007). In addition to being suitable for plankton populations that are sensitive to mechanical stress, semi-continuous culturing allows for repeated monitoring of chemical and biological factors through the use of the volume removed from experimental vessels upon dilution. Semi-continuous culture employs frequent dilutions or low biomass concentrations to avoid metabolically driven changes in carbonate chemistry. Resource availability, biomass concentrations, and metabolic rates determine the dilution interval, which can vary from daily dilutions to dilutions every 4 days (Cripps et al., 2016; Gao et al., 2009; Hildebrandt et al., 2016; Kurihara et al., 2004; Vehmaa et al., 2012; Webb et al., 2016; Xu and Gao, 2015).

Gas exchange has been used as a supplementary control mechanism in microcosms (Müller et al., 2012; Webb et al., 2016), flow-through systems (Fangue et al., 2010) and mesocosms (Garzke et al., 2016; Horn et al., 2016), and as a primary control mechanism in one mesocosm (Wahl et al., 2015a). The ACCS employs passive gas exchange as a modification to the semi-continuous method. Culture vessels are maintained in a large volume chamber with a controlled atmosphere between water changes. This modification can reduce the necessary frequency of water changes and/or increase the allowable biomass density given an acceptable range of biological perturbation to the carbonate chemistry.

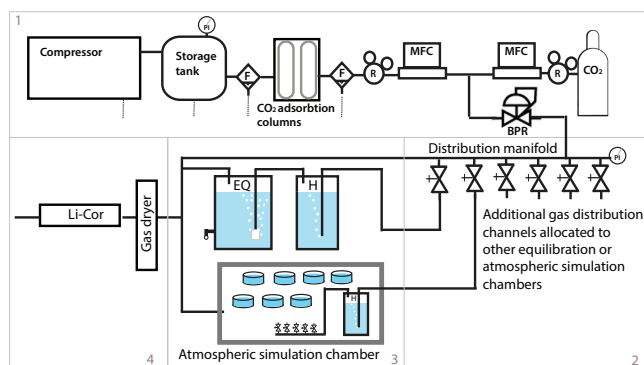


Figure 1. A general schematic of the system including gas mixing (1), gas distribution (2), equilibration tanks and atmospheric simulation chambers with temperature control (3), and verification of $p\text{CO}_2$ (4). A pair of MFCs (mass flow controllers) is present for each $p\text{CO}_2$ treatment. The components in 2 and 4 are also repeated for each treatment for up to nine total equilibration tanks and up to nine atmospheric simulation chambers. Abbreviations in the schematic include pressure indication (PI), self-draining filter (F), regulator (R), backpressure regulator (BPR), humidifier (H), and equilibration tank (EQ). The distribution manifold is plumbed with flow meter valves so each gas distribution channel can be visually checked and adjusted for flow. Dotted lines indicate drain lines.

2 Description of system

The main components of the ACCS are (1) gas mixing, (2) gas distribution, (3) gas measurement, (4) equilibration and atmospheric simulation chambers and (5) verification of $p\text{CO}_2$ through discrete measurements (Fig. 1).

2.1 Gas mixing

The gas mixing system is similar to many others and is described in detail in the Supplement. In short, compressed air passes through self-regenerating molecular sieves to strip out CO_2 , and then flows to a set of mass flow controllers (MFCs) at constant pressure. Research grade CO_2 feeds a second set of MFCs, and the two streams mix to provide precisely controlled CO_2 / air gas mixtures to each distribution channel. A set of backpressure regulators maintain a steady pressure on the downstream side of the MFCs. These are paired with typical two-stage regulators on the upstream side. This ensures a constant pressure drop across the controllers, resulting in steady flow rates.

2.2 Gas distribution

The mixed gas enters a manifold with six adjustable flow meters for each distribution channel. These allow the user to control and direct the flow of gas to any of the equilibration or atmospheric simulation chambers. Each distribution channel is equipped with a pressure gauge, which allows the user to ensure that downstream pressure does not exceed the set

point of the backpressure regulators, thereby decreasing the pressure drop across the MFCs.

2.3 Equilibration and atmospheric simulation

After humidification (to minimize evaporative losses from culture vessels), gas mixtures flow to either an equilibration tank or an atmospheric simulation chamber. Pre-conditioning of media is achieved in equilibration tanks (15 L carboys) by continuous bubbling through fine-pore airstones. Inlet and outlet gas lines are connected to barbed fittings in the lids of these carboys to allow treatment air to enter and for head space gas to exit and be monitored for CO_2 , which ensures water equilibration. The large atmospheric simulation chambers (120 L volume, 70 cm \times 50 cm \times 40 cm) are constructed from clear acrylic with inlet and outlet lines and one hinged side for easy access. The chambers can be maintained under static or varying temperature and light conditions. The controlled atmosphere supplied to these chambers allows gas exchange to offset metabolically driven changes in water chemistry.

Using semi-continuous techniques, numerous culture vessels can be maintained in each chamber. There is a removable perforated clear acrylic shelf which allows for a large number of smaller vessels to be accommodated, without impeding airflow unduly. Thirty jars (500 mL) were haphazardly placed within each of the chambers to culture copepods in the studies described here. Taller vessels can easily be accommodated when the shelf is removed. For example, we have used six large (2 L) Erlenmeyer flasks in one chamber of algal cultures or up to 16 2 L Nalgene bottles. Culture vessels can vary in size, though a practical limit may be reached as to how many can be diluted per day. Daily operation consists of the following basic procedures. (1) Sample the gas streams to ensure they are on target (see Sect. 2.4). (2) Remove vessels from the chambers, wiping away any condensation, and filling the humidifiers at this time. (3) Carry out a semi-continuous dilution for each, making sure to start fresh water equilibrating. (4) Haphazardly replace the culture vessels in the atmospheric simulation chambers. When the chamber is first sealed it may be beneficial to divert all possible gas flow temporarily to that chamber to flush it out and achieve the appropriate atmosphere more quickly. (5) Carry out analyses on water and/or organisms sampled from the culture vessels.

Alternatively, for populations that are not sensitive to mechanical stress, direct bubbling is possible. A flow control manifold placed in the chamber distributes gas from the chamber inlet into the culture vessels. Intermediate configurations including both direct bubbling and passive gas exchange are also possible, maximizing efficient use of the gas streams.

2.4 Verification of $p\text{CO}_2$

The $p\text{CO}_2$ of the gas entering the manifold or exiting each of the distribution channels can be quantified (Licor 820). Gas entering the CO_2 sensor is dehumidified by passing through a nafion drying tube supplied with a counter flow around the tube of the dry air from the compressor. This reduces interference from water vapor in the infrared measurement technique.

Carbonate chemistry parameters are measured frequently by subsampling cultures or using the displaced volume from dilutions. Here, we use daily spectrophotometric pH (Dickson et al., 2007) and total dissolved inorganic carbon (DIC) measurements (Apollo Sci-Tech), supplemented by periodic open cell Gran titrations for total alkalinity (Dickson et al., 2007) and calculate the remaining parameters using the excel version of carbonate system calculation software, CO_2sys (Lewis and Wallace, 1998). Details of these methods are available in the Supplement.

3 Gas exchange effects

The primary aspect that differentiates the ACCS from other OA experimental approaches is the prominent use of controlled atmospheres. Movement of CO_2 across the air–water interface in culture vessels in the ACCS helps to keep pH and $p\text{CO}_2$ closer to target values than in a simple batch or semi-continuous approach. While this is not very clear when comparing across studies with different organisms, volumes and $p\text{CO}_2$ (Table 1), it can be demonstrated by the effect of surface area to volume on change in pH in batch cultures.

When square cross section flasks are filled to 90, 70, and 50 % of capacity, surface area to volume ratios increase accordingly (90, 116, and $162\text{ cm}^2\text{ L}^{-1}$, respectively). As photosynthesis draws down CO_2 in batch cultures of *Emiliana huxleyi*, flasks with the highest surface area to volume exhibit the smallest departures in pH from the media blanks (Fig. 2). This effect is most pronounced when there is a large gradient across the surface, as in the later stages of these batch cultures. Cell density in these cultures exceeds $1 \times 10^5\text{ cells mL}^{-1}$ on day 3 and $8 \times 10^5\text{ cells mL}^{-1}$ on day 5. Additional testing in the ACCS showed that under cell densities typical in our semi-continuous culture (about $1 \times 10^5\text{ Emiliana huxleyi cells mL}^{-1}$), carbon draw-down was reduced by 20 to 30 percent by passive gas exchange in flasks open to the atmospheric simulation chamber, compared to cultures that were kept capped. While the addition of a gas exchange element to semi-continuous culture increases the realism of the system, the ACCS does not achieve a fully realistic gas exchange scenario. For instance, wind speed plays a major role in the parameterization of gas exchange rates in the field (e.g., Raymond and Cole, 2001; Wanninkhof, 2014). While there is some airflow in the atmospheric simulation chambers, it is probably low compared to

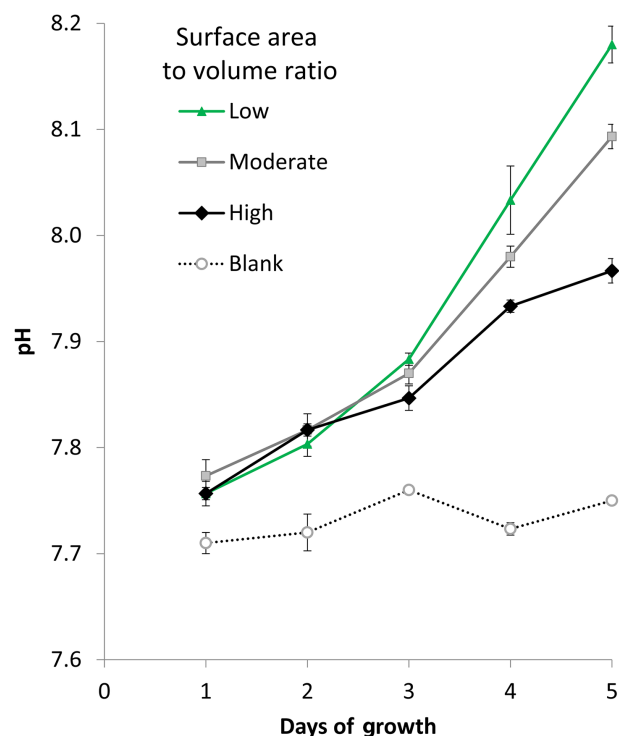


Figure 2. Flasks with high surface area to volume ratios show more evidence of atmospheric equilibration compared to low surface area to volume flasks when biomass and air–water CO_2 gradients are high after several days of growth. Treatments represent triplicate batch cultures of *Emiliana Huxleyi*. Surface area to volume ratios tested are 90 (low), 116 (moderate), and $162\text{ cm}^2\text{ L}^{-1}$, corresponding to volumes of 900, 700, and 500 mL in a square 1 L flask ($n = 3$). Blanks, which do not contain algal cells, retain relatively constant pH (total scale). Values are means; error bars are standard deviation.

field conditions, and gas exchange rates are therefore somewhat muted.

4 Performance

Carbonate chemistry is steady over time, and treatment differences are stable, which allows cultures to acclimatize to given conditions over many days (Fig. 3). Semi-continuous cultures do show some effect of biological modification of the mean $p\text{CO}_2$ values, which are reduced in algal cultures and increased in zooplankton cultures relative to the pre-equilibrated media. Despite these effects, the ACCS maintains strong treatment separation (Fig. 4) (See Supplement Table S1 for the full suite of carbonate chemistry parameters). The average difference between the pre-equilibrated media and cultures after 24 h of growth was $75\text{ }\mu\text{atm CO}_2$ during the experiment illustrated in Fig. 3. Average culture conditions over 24 h are likely closer to that of the pre-equilibrated media; however the timing and magnitude of

Table 1. Comparison of daily variability in pH (total hydrogen ion scale) in semi-continuous OA studies without direct bubbling. ΔpH is the mean absolute difference between pH before and after dilution (where available). Dilution interval indicates days between dilution of cultures. Ambient conditions are nominally between 380 and 450 $\mu\text{atm CO}_2$. High conditions are nominally between 1000 and 2000 $\mu\text{atm CO}_2$. All studies apart from ACCS experiments are simple semi-continuous cultures with closed conditions between dilutions.

Study	Organism	Dilution interval (days)	ΔpH ambient	ΔpH high
Webb et al. (2016)	Coccolithophore	4	0.45	0.55
Hildebrandt et al. (2016)	Copepod	4	0.19	0.13
Xu and Gao (2015) ^a	Coccolithophore	3	0.07	0.07
Kurihara et al. (2004)	Copepod	2	0.03	0.15
Gao et al. (2009) ^a	Coccolithophore	1	0.08	0.08
Vehmaa et al. (2012)	Copepod	1	0.20	0.06
Cripps et al. (2014)	Copepod	1	0.03	0.01
ACCS Exp 1 ^b	Copepod	1	0.09	0.04
ACCS Exp 2	Copepod	1	0.05	0.02
ACCS Exp 3	Copepod	1	0.07	0.02
ACCS Exp 4	Copepod	1	0.02	0.001

^a Maximum drift as reported, not specified by treatment. ^b 75 % of difference between of pH of media used to dilute the cultures and pH at end of dilution interval as an estimate of ΔpH when a 75 % replacement of volume is used for experiments 1–4.

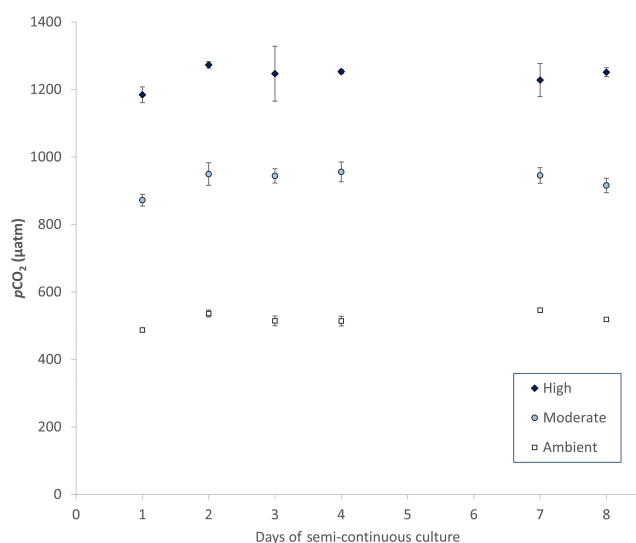


Figure 3. Maintenance of $p\text{CO}_2$ over time in mixed cultures of the copepod *Calanus pacificus* and its prey *Ditylum brightwellii* ($n = 3$, Experiment 2). Cultures were maintained in atmospheric chambers under semi-continuous culture with artificial atmospheres with no bubbling and media for daily dilutions was bubbled with air at 400 (ambient), 800 (moderate), and 1200 (high) $\mu\text{atm } p\text{CO}_2$. Values are means; error bars are standard deviation.

these differences depend on the metabolic activity in the culture, and the timing of the dilutions relative to diurnal cycling. Details for the four experiments outlined in this study are reviewed in Table 2. These experiments are a representative subset of at least 20 experiments which have been carried out in the ACCS but students and faculty.

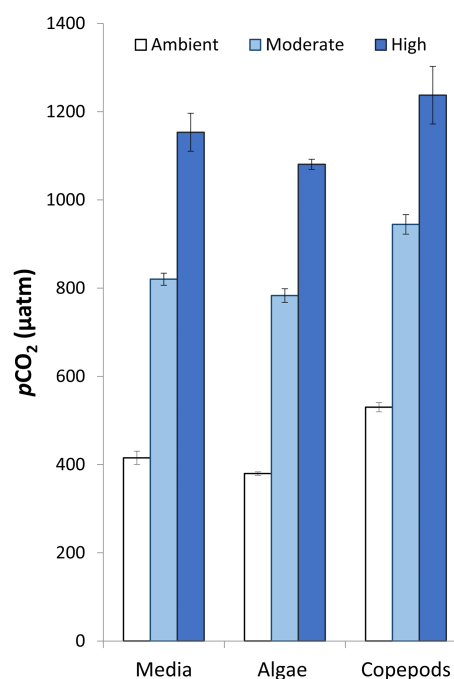


Figure 4. System performance as measured by maintenance of $p\text{CO}_2$ in pre-conditioned media, algal cultures (diatom *Ditylum brightwellii*), and mixed cultures of the algae and the copepod *Calanus pacificus* ($n = 6$, Experiment 2). Algae and copepods were under semi-continuous culture with artificial atmospheres and media for daily dilutions was bubbled with air at 400 (ambient), 800 (moderate) and 1200 (high) $\mu\text{atm } p\text{CO}_2$. Values are means; error bars are standard deviation.

Table 2. Details of recent experiments using the ACCS. Each experiment includes an algal prey species (listed first) and a copepod (listed second). Algae were maintained in 1 L bottles, about half full and copepods were cultured in 500 mL dishes. All cultures were maintained either with semi-continuous culture in atmospheric simulation chambers (passive) or direct bubbling (active). Algal prey cells were added to the copepod cultures twice daily (every 12 h) to maintain saturating feeding conditions.

Experiment	Species	$p\text{CO}_2$ control	T ($^{\circ}\text{C}$)
1	<i>Prorocentrum micans</i>	Passive	12
	<i>Calanus pacificus</i>	Passive	
2	<i>Ditylum brightwellii</i>	Active	12
	<i>Calanus pacificus</i>	Passive	
3	<i>Rhodomonas salina</i>	Active	12
	<i>Acartia hudsonica</i>	Passive	
4	<i>Rhodomonas salina</i>	Active	17
	<i>Acartia hudsonica</i>	Passive	

Use of the ACCS with semi-continuous culture and passive gas exchange allows a diurnal cycle to develop in cultures. During the light period, $p\text{CO}_2$ drops in algal cultures, and rises with net respiration during dark periods. Experiments in which we monitored carbonate chemistry in detail over 24 h showed that during an 8 h dark period, $p\text{CO}_2$ increased on average 10–20 μatm in cultures of *Emiliania huxleyi*, and average drawdown over an 8 h light period were 30–60 μatm CO_2 . This corresponds to a light period change in pH of about 0.03 and about 0.4 % change in DIC. These differences are consistent in magnitude with the increases in $p\text{CO}_2$ for passively maintained mixed cultures of copepods and their prey over 24 h in the ACCS (Table 1). These changes in pH of between 0.02 and 0.05 pH units, correspond to $p\text{CO}_2$ increases between 50 and 100 ppm CO_2 over the course of 24 h. The daily dilution ensures that this cycle in $p\text{CO}_2$ remains centered around a steady average value and is not overwhelmed by increased biomass or metabolic activity in the culture vessels over time.

This level of diurnal variability is comparable to that found in some of the more stable natural systems. Hofmann et al. (2011) deployed pH sensors in a range of habitats and found short-term variability of about 0.02 in open ocean environments, and ranging up to greater than 0.5 in some estuarine and reef habitats. This variability can be driven by mixing, advection, upwelling, and community metabolism. Biomass density and water residence time are two major factors which govern the magnitude of pH variability in natural settings and which can be approximated in semi-continuous culture.

Metabolically driven changes in microcosm carbonate chemistry can be large when allowed to go unchecked. For instance, in the case of Villafane (2015) rapid growth rates in their high $p\text{CO}_2$ treatment resulted in increases in pH of about 0.4 units per day after they were reset to a nominal

value each morning. This level of variability rivals that of some of the most dynamic marine systems, such as upwelling sites in upwelling zones or estuarine systems which can exhibit high-frequency pH variability in ranges of 0.4 to 0.99 (Hofmann et al., 2011). Dilution of cultures is a rough analogue of water exchange or residence time in a given habitat. When water changes or dilutions have a longer time interval, a change in pH of 0.15 to 0.5 between water changes is common (Table 1). This corresponds to approximately a 400–800 μatm difference in $p\text{CO}_2$, which rivals or exceeds the difference between treatments in many experiments.

In the ACCS, active control of biomass and turnover of water through dilution is coupled with gas exchange to keep the variability within realistic bounds, and to enhance the realism of the experimental system. When biomass in culture and the surface area to volume ratios are moderate, the stability of pH in the ACCS is comparable to other experiments using semi-continuous culturing but no subsequent gas exchange (Table 1). When operated with care and attention to the considerations detailed below, very tight carbonate chemistry control is possible (e.g., experiment 4). All semi-continuous methods can modify the variability in carbonate conditions by changing the biomass concentration in culture. The ACCS can also increase or decrease variability by modulating the effects of gas exchange on the cultures (Fig. 2).

5 Considerations

Water vapor can exchange across the surface as well as CO_2 , resulting in evaporation of air if the atmospheric simulation chamber is dry. In order to humidify air, gas streams can pass through membrane-based nafion humidifiers or, more simply, air entering the chamber can be bubbled through a column of deionized water. Water changes associated with semi-continuous culturing also help to maintain appropriate salinity levels.

The development of a substantial diffusive boundary layer at the air–water interface will reduce the rate of gas exchange. Mixing both the air and water minimizes this effect. Air circulation in the atmospheric simulation chambers is driven by an inflow of gas at about 5 L min^{-1} . Automatic stirring of culture vessels that is sufficiently gentle is difficult to achieve in an open vessel and manual stirring requires the chamber to be opened. Early versions of the ACCS incorporated integral gloves for handling vessels without opening the chamber, but they were cumbersome. Therefore, culture vessels are not actively stirred, and boundary layers may develop between mixing of cultures upon feeding or dilution.

Air in the chamber is replaced with room air when opened, and takes some time to be replenished with treatment air. This is particularly important when the chambers are located in an enclosed space such as a walk-in incubator. Laboratory air in general, and enclosed spaces where people are working in particular, can quickly achieve very high CO_2 con-

centrations. Good general ventilation, monitoring of room air $p\text{CO}_2$ and fans that can be activated before chambers are opened is recommended. Scrubbing of room air is also possible, but we found ventilation to be simpler and more effective. The performance of this system has improved over time with the improvements in ventilation and sample handling. When operated with care, it compares favorably to other published results from semi-continuous culturing studies (Table 1).

6 Advantages

Advantages of this system include the ability to allow diurnal cycles in carbonate chemistry to develop, but also the ability to modulate those effects through gas exchange, as in near-shore environments. Depending on the organismal metabolic rates, semi-continuous dilution volumes, and the surface area to volume ratio of the culture vessels, the diurnal cycle can be tuned such that it is similar in magnitude to those in natural systems. The dilution of cultures and gas exchange keep carbonate chemistry close to target values while still allowing relatively dense cultures. It has cost effective gas handling, flexibility, and is suitable for delicate planktonic organisms, including holo- and meroplankton. Vessel $p\text{CO}_2$ is gently controlled via passive gas exchange, or more robust cultures may be bubbled directly.

A key feature of the ACCS is the ability to accommodate a large number of culture vessels. For example, tracking copepod egg production of individual females or the hatching success and development of egg clutches requires more culture vessels than can be accommodated by most OA experimental methods. The ACCS enables analysis of these metrics or the tracking of individual breeding crosses or families over time. These kinds of studies obtain the variability of responses within a population which is important both in data interpretation and in predicting how adaptation mediates OA response.

The addition of backpressure regulators can increase the reliability of mixed gas concentrations. MFCs need a constant pressure drop across the controller to operate correctly. Many system operators do not control pressure downstream of MFCs, and may adjust upstream pressure to counteract pressure changes in the distribution system (Falkenberg et al., 2016). It is imperative that the concentrations of the gas supply remain steady regardless of the state of the airstones in the pre-equilibration tanks or small flow adjustment which can cause cascading effects through pressure changes. The backpressure regulators in the ACCS maintain a pressure of 15 psi on the MFC outlets as long as the downstream pressure does not exceed that value. When paired with two-stage regulators upstream, which maintain a pressure of 30 psi on the MFC inlets, the backpressure regulators improve MFC performance. The addition of backpressure regulators would benefit any system which uses MFCs.

7 Experimental design considerations

Many OA studies have not fully addressed the independence of their replicates in the design or the description of experimental systems (Cornwall and Hurd, 2015). While this system is not immune to these issues, some steps can be taken in its use to minimize these concerns. With six distribution channels for each concentration, one could supply three independent equilibration tanks paired with three atmospheric simulation chambers for each $p\text{CO}_2$ treatment (similar to tank array b in Cornwall and Hurd). Atmospheric chamber could then be included as a random variable in the statistical analysis where culture vessels are the replicates. Alternatively, the tanks used for equilibration could be randomly reassigned to different treatments when they are refilled each day, reducing potential issues arising from using a common equilibration tank for all replicates in each treatment. Similarly, atmospheric simulation chambers can be easily reassigned to different treatments through the course of the experiment. Preliminary tests in the system showed no effect of atmospheric chamber on algal cultures, but contamination or other problems could differentially affect the chambers and confound results if there is only one chamber per treatment condition. The greater the number of experimental conditions, the less flexibility there is to increase independence of experimental units (culture vessels in this case). For instance, if the design requires three temperatures for each of three $p\text{CO}_2$ levels, then equilibration can be carried out inside the atmospheric simulation chamber, and two chambers can be assigned to each $p\text{CO}_2$ / temperature condition.

8 Conclusion

The flexible design of the ACCS has proven to be effective in experiments with a wide variety of organisms, including bacterioplankton, phytoplankton, micro- and mesozooplankton, and larval invertebrates (Buckham, 2015; Christmas, 2013; Kendall, 2015; McLaskey et al., 2016; Siu et al., 2014; Still, 2016; Wuori, 2012). It is particularly designed for the maintenance of organisms which are sensitive to bubbling, and for increasing the realism which can be achieved in a microcosm through diurnal fluctuations and natural gas exchange processes.

Data availability. All data are either available in the Supplement (data for Fig. 2 and general carbonate chemistry parameters) or at the BCO-DMO data repository (Olson and Love, 2017).

The Supplement related to this article is available online at doi:10.5194/bg-14-2675-2017-supplement.

Author contributions. B. Love was the lead on design and construction of the system, supervision, and execution of the initial testing, system improvements maintenance and trouble shooting. M. B. Olson collaborated on these same activities. T. Wuori carried out initial testing, including surface area to volume experiments. B. Love drafted the manuscript with primary editorial assistance from M. B. Olson and helpful commentary from T. Wuori.

Competing interests. The authors declare that they have no conflict of interest.

Acknowledgements. We are grateful for the support of the faculty and staff of the Shannon Point Marine Center, for accommodating and enhancing the ever expanding scope of the ocean acidification lab. Scientific Technical Services built and repaired countless devices for this project. Several undergraduate students contributed through research projects, including Sabelo Duley, Daniel Hernandez, Julius Allison, and Daniel Hodge. These students were supported by the NSF Research Experience for Undergraduates and Multicultural Initiative in Marine Science Undergraduate Programs. This work was funded through National Science Foundation awards OCE 0961229 and OCE 1220664.

Edited by: G. Herndl

Reviewed by: two anonymous referees

References

- Brutemark, A., Engström-Öst, J., Vehmaa, A., and Gorokhova, E.: Growth, toxicity and oxidative stress of a cultured cyanobacterium (sp.) under different CO_2/pH and temperature conditions, *Phycol. Res.*, 63, 56–63, doi:10.1111/pre.12075, 2015.
- Buckham, S.: Ocean acidification affects larval swimming in *Ostrea lurida* but not *Crassostrea gigas*, Thesis, Western Washington University, available from: <http://cedar.wvu.edu/wwuet/451/> (last access: 10 December 2016), 2015.
- Cornwall, C. E. and Hurd, C. L.: Experimental design in ocean acidification research: problems and Solutions, *ICES J. Mar. Sci.*, 73, 572–581, 2015.
- Cripps, G., Flynn, K. J., and Lindeque, P. K.: Ocean Acidification Affects the Phyto-Zoo Plankton Trophic Transfer Efficiency, *PLoS One*, 11, e0151739, doi:10.1371/journal.pone.0151739, 2016.
- Christmas, A. M.: Effects of ocean acidification on dispersal behavior in the larval stage of the Dungeness crab and the Pacific Green Shore crab, Western Washington University, available from: <http://cedar.wvu.edu/wwuet/306/> (last access: 10 December 2016), 2013.
- Dickson, A. G., Sabine, C. L., and Christian, J. R.: Guide to best practices for ocean CO_2 measurements, Edited Book, PICES, Sydney, 2007.
- Eberlein, T., Van De Waal, D. B., Brandenburg, K. M., John, U., Voss, M., Achterberg, E. P., and Rost, B.: Interactive effects of ocean acidification and nitrogen limitation on two bloom-forming dinoflagellate species, *Mar. Ecol.-Prog. Ser.*, 543, 127–140, doi:10.3354/meps11568, 2016.
- Falkenberg, L. J., Russell, B. D., and Connell, S. D.: Design and performance evaluation of a mesocosm facility and techniques to simulate ocean acidification and warming, *Limnol. Oceanogr.-Meth.*, 14, 278–291, doi:10.1002/lom3.10088, 2016.
- Fangue, N. A., O'Donnell, M. J., Sewell, M. A., Matson, P. G., MacPherson, A. C., and Hofmann, G. E.: A laboratory-based, experimental system for the study of ocean acidification effects on marine invertebrate larvae, *Limnol. Oceanogr.-Meth.*, 8, 441–452, doi:10.4319/lom.2010.8.441, 2010.
- Feng, Y., Warner, M. E., Zhang, Y., Sun, J., Fu, F. X., Rose, J. M., and Hutchins, D. A.: Interactive effects of increased $p\text{CO}_2$, temperature and irradiance on the marine coccolithophore *Emiliana huxleyi* (Prymnesiophyceae), *Eur. J. Phycol.*, 43, 87–98, doi:10.1080/09670260701664674, 2008.
- Fu, F.-X., Warner, M. E., Zhang, Y., Feng, Y., and Hutchins, D. A.: Effects of increased temperature and CO_2 on photosynthesis, growth, and elemental ratios in marine *Synechococcus* and *Prochlorococcus* (Cyanobacteria), *J. Phycol.*, 43, 485–496, doi:10.1111/j.1529-8817.2007.00355.x, 2007.
- Gao, K., Ruan, Z., Villafañe, V. E., Gattuso, J.-P., and Helbling, E. W.: Ocean acidification exacerbates the effect of UV radiation on the calcifying phytoplankter *Emiliana huxleyi*, *Limnol. Oceanogr.*, 54, 1855–1862, doi:10.4319/lo.2009.54.6.1855, 2009.
- Garzke, J., Hansen, T., Ismar, S. M. H., and Sommer, U.: Combined Effects of Ocean Warming and Acidification on Copepod Abundance, Body Size and Fatty Acid Content, *PLoS One*, 11, e0155952, doi:10.1371/journal.pone.0155952, 2016.
- Gifford, D. J.: Isolation and laboratory culture of marine oligotrichous ciliates, in *Handbook of methods in aquatic microbial ecology*, edited by: Kemp, P., Sherr, B., Sherr, E., and Cole, J., Lewis Publishers, Boca Raton, FL, 103–108, 1993.
- Hendriks, I. E., Duarte, C. M., and Alvarez, M.: Vulnerability of marine biodiversity to ocean acidification: A meta-analysis, *Estuar. Coast. Shelf S.*, 86, 157–164, doi:10.1016/j.ecss.2009.11.022, 2010.
- Hildebrandt, N., Sartoris, F. J., Schulz, K. G., Riebesell, U., and Niehoff, B.: Ocean acidification does not alter grazing in the calanoid copepods *Calanus finmarchicus* and *Calanus glacialis*, *ICES J. Mar. Sci.*, 73, 927–936, doi:10.1093/icesjms/fsv226, 2016.
- Hoffmann, L. J., Breitbarth, E., McGraw, C. M., Law, C. S., Currie, K. I., and Hunter, K. A.: A trace-metal clean, pH-controlled incubator system for ocean acidification incubation studies, *Limnol. Oceanogr.-Meth.*, 11, 53–61, doi:10.4319/lom.2013.11.53, 2013.
- Hofmann, G. E., Smith, J. E., Johnson, K. S., Send, U., Levin, L. A., Micheli, F., Paytan, A., Price, N. N., Peterson, B., Takeshita, Y., Matson, P. G., Derse Crook, E., Kroeker, K. J., Gambi, M. C., Rivest, E. B., Frieder, C. A., Yu, P. C., and Martz, T. R.: High-Frequency dynamics of ocean pH: a multi-ecosystem comparison, *PLoS ONE*, 6, e28983, doi:10.1371/journal.pone.0028983, 2011.
- Hoins, M., Eberlein, T., Großmann, C. H., Brandenburg, K., Reichert, G.-J., Rost, B., Sluijs, A., and Van de Waal, D. B.: Combined Effects of Ocean Acidification and Light or Nitrogen Availabilities on ^{13}C Fractionation in Marine Dinoflagellates, *PLoS One*, 11, e0154370, doi:10.1371/journal.pone.0154370, 2016.

- Horn, H. G., Boersma, M., Garzke, J., Loeder, M. G. J., Sommer, U., and Aberle, N.: Effects of high CO_2 and warming on a Baltic Sea microzooplankton community, *Ices J. Mar. Sci.*, 73, 772–782, doi:10.1093/icesjms/fsv198, 2016.
- Hutchins, D. A., Fu, F.-X., Zhang, Y., Warner, M. E., Feng, Y., Portune, K., Bernhardt, P. W., and Mulholland, M. R.: CO_2 control of *Trichodesmium* N_2 fixation, photosynthesis, growth rates, and elemental ratios: implications for past, present, and future ocean biogeochemistry, *Limnol. Oceanogr.*, 52, 1293–1304, 2007.
- Isari, S., Zervoudaki, S., Peters, J., Papantoniou, G., Pelejero, C., and Saiz, E.: Lack of evidence for elevated CO_2 -induced bottom-up effects on marine copepods: a dinoflagellate–calanoid prey–predator pair, *ICES J. Mar. Sci.*, 73, 650–658, 2016.
- Kendall, K.: Marine microzooplankton are indirectly affected by ocean acidification through direct effects on their phytoplankton prey, Thesis, Western Washington University, Washington, available from: <http://cedar.wwu.edu/wwuet/448/> (last access: 10 December 2016), 2015.
- Kremp, A., Godhe, A., Egardt, J., Dupont, S., Suikkanen, S., Casabianca, S., and Penna, A.: Intraspecific variability in the response of bloom-forming marine microalgae to changed climate conditions, *Ecol. Evol.*, 2, 1195–1207, doi:10.1002/ece3.245, 2012.
- Kurihara, H., Shimode, S., and Shirayama, Y.: Sub-Lethal Effects of Elevated Concentration of CO_2 on Planktonic Copepods and Sea Urchins, *J. Oceanogr.*, 60, 743–750, doi:10.1007/s10872-004-5766-x, 2004.
- Lewis, E. and Wallace, D. W. R.: Program developed for CO_2 system calculations, ORNL/CDIAC-105, 38, 1998.
- MacLeod, C. D., Doyle, H. L., and Currie, K. I.: Technical Note: Maximising accuracy and minimising cost of a potentiometrically regulated ocean acidification simulation system, *Biogeosciences*, 12, 713–721, doi:10.5194/bg-12-713-2015, 2015.
- McLaskey, A., Keister, J., McElhany, P., Olson, M. B., Busch, S., Maher, M., and Winans, A. K.: Development of *Euphausia pacifica* (krill) larvae is impaired under $p\text{CO}_2$ levels that are currently observed in the Northeast Pacific, *Mar. Ecol.-Prog. Ser.*, 555, 65–78, doi:10.3354/meps11839, 2016.
- Müller, M. N., Beaufort, L., Bernard, O., Pedrotti, M. L., Talec, A., and Sciadra, A.: Influence of CO_2 and nitrogen limitation on the coccolith volume of *Emiliania huxleyi* (Haptophyta), *Biogeosciences*, 9, 4155–4167, doi:10.5194/bg-9-4155-2012, 2012.
- Neale, P. J., Sobrino, C., Segovia, M., Mercado, J. M., Leon, P., Cortés, M. D., Tuite, P., Picazo, A., Salles, S., Cabrerizo, M. J., Prasil, O., Montecino, V., Reul, A., and Fuentes-Lema, A.: Effect of CO_2 , nutrients and light on coastal plankton. I. Abiotic conditions and biological responses, *Aquat. Biol.*, 22, 25–41, doi:10.3354/ab00587, 2014.
- Olson, B. and Love, B.: Carbonate chemistry associated with copepod experiments with varying CO_2 (OA-Copepod_PreyQual project), Biological and Chemical Oceanography Data Management Office (BCO-DMO), Dataset version 2017-01-18, <http://lod.bco-dmo.org/id/dataset/675199>, last access: 20 January 2017.
- Paul, C., Sommer, U., Garzke, J., Moustaka-Gouni, M., Paul, A., and Matthiessen, B.: Effects of increased CO_2 concentration on nutrient limited coastal summer plankton depend on temperature, *Limnol. Oceanogr.*, 61, 853–868, doi:10.1002/lno.10256, 2016.
- Raymond, P. A. and Cole, J. J.: Gas Exchange in Rivers and Estuaries: Choosing a Gas Transfer Velocity, *Estuaries*, 24, 312–317, doi:10.2307/1352954, 2001.
- Riebesell, U., Fabry, V. J., Hansson, L., and Gattuso, J.: Guide to best practices for ocean acidification research and data reporting, edited by: Riebesell, U., Fabry, V. J., Hansson, L., and Gattuso, J., Publications Office of the European Union, Luxembourg, 2010.
- Runge, J., Fields, D., Thompson, C., Shema, S., Bjelland, R., Durif, C., Skiftevsik, A., and Browman, H.: End of the century CO_2 concentrations do not have a negative effect on vital rates of *Calanus finmarchicus*, an ecologically critical planktonic species in North Atlantic ecosystems, *ICES J. Mar. Sci.*, 73, 937–950, doi:10.1093/icesjms/fsv258, 2016.
- Shi, D., Xu, Y., and Morel, F. M. M.: Effects of the pH/ $p\text{CO}_2$ control method on medium chemistry and phytoplankton growth, *Biogeosciences*, 6, 1199–1207, doi:10.5194/bg-6-1199-2009, 2009.
- Siu, N., Apple, J. K., and Moyer, C. L.: The Effects of Ocean Acidity and Elevated Temperature on Bacterioplankton Community Structure and Metabolism, *Open J. Ecol.*, 4, 434–455, doi:10.4236/oje.2014.48038, 2014.
- Stewart, R. I. A., Dossena, M., Bohan, D. A., Jeppesen, E., Kordas, R. L., Ledger, M. E., Meerhoff, M., Moss, B., Mulder, C., Shurin, J. B., Suttle, B., Thompson, R., Trimmer, M., and Woodward, G.: Mesocosm experiments as a tool for ecological climate-change Research, in: *Advances in Ecological Research*, Vol. 48, edited by: Woodward, G., Academic Press, London, 71–182, 2013.
- Still, K.: Microzooplankton grazing, growth and gross growth efficiency are affected by $p\text{CO}_2$ induced changes in phytoplankton biology, Thesis, Western Washington University, available from: <http://cedar.wwu.edu/wwuet/478/>, last access: 10 December 2016.
- Talmage, S. C. and Gobler, C. J.: The effects of elevated carbon dioxide concentrations on the metamorphosis, size, and survival of larval hard clams (*Mercenaria mercenaria*), bay scallops (*Argopecten irradians*), and Eastern oysters (*Crassostrea virginica*), *Limnol. Oceanogr.*, 54, 2072–2080, doi:10.4319/lo.2009.54.6.2072, 2009.
- Vehmaa, A., Brutemark, A., and Engström-Öst, J.: Maternal effects may act as an adaptation mechanism for copepods facing pH and temperature changes, *PLoS ONE*, 7, e48538, doi:10.1371/journal.pone.0048538, 2012.
- Villafañe, V. E., Valiñas, M. S., Cabrerizo, M. J., and Helbling, E. W.: Physio-ecological responses of Patagonian coastal marine phytoplankton in a scenario of global change: Role of acidification, nutrients and solar UVR, *Mar. Chem.*, 177, 411–420, doi:10.1016/j.marchem.2015.02.012, 2015.
- Wahl, M., Buchholz, B., Winde, V., Golomb, D., Guy-Haim, T., Müller, J., Rilov, G., Scotti, M., and Böttcher, M. E.: A mesocosm concept for the simulation of near-natural shallow underwater climates: The Kiel Outdoor Benthocosms (KOB), *Limnol. Oceanogr.-Meth.*, 13, 651–663, doi:10.1002/lom3.10055, 2015a.
- Wahl, M., Sawall, Y., and Saderne, V.: How good are we at assessing the impact of ocean acidification in coastal systems? Limitations, omissions and strengths of commonly used experimental approaches with a special emphasis on the neglected role of fluctuations, *Mar. Freshw. Res.*, 67, 25–36, doi:10.1071/MF14154, 2015b.

- Wanninkhof, R.: Relationship between wind speed and gas exchange over the ocean, *Limnol. Oceanogr.-Meth.*, 12, 351–362, doi:10.4319/lom.2014.12.351, 2014.
- Webb, A. L., Malin, G., Hopkins, F. E., Ho, K.-L., Riebesell, U., Schulz, K., Larsen, A., and Liss, P.: Ocean acidification affects production of DMS and DMSP measured in a mesocosm study and cultures of *Emiliana huxleyi* RCC1229: a comparison of community interactions and laboratory monocultures, *Environ. Chem.*, 13, 314–329, doi:10.1071/EN14268, 2016.
- Wernberg, T., Smale, D. A., and Thomsen, M. S.: A decade of climate change experiments on marine organisms: Procedures, patterns and problems, *Glob. Change Biol.*, 18, 1491–1498, doi:10.1111/j.1365-2486.2012.02656.x, 2012.
- Wilcox-Freeburg, E., Rhyne, a, Robinson, W. E., Tlusty, M., Bourque, B., and Hannigan, R. E.: A comparison of two pH-stat carbon dioxide dosing systems for ocean acidification experiments, *Limnol. Ocean.-Meth.*, 11, 485–494, doi:10.4319/lom.2013.11.485, 2013.
- Wolfe, G. V., Strom, S. L., Holmes, J. L., Radzio, T., and Olson, M. B.: Dimethylsulfoniopropionate cleavage by marine phytoplankton in response to mechanical, chemical, or dark stress, *J. Phycol.*, 38, 948–960, doi:10.1046/j.1529-8817.2002.t01-1-01100.x, 2002.
- Wuori, T.: The effects of elevated $p\text{CO}_2$ in the physiology of *Emiliana huxleyi*, Thesis, Western Washington University, available from: <http://cedar.wvu.edu/wwuet/235/> (last access: 16 December 2016), 2012.
- Xu, K. and Gao, K.: Solar UV irradiances modulate effects of ocean acidification on the coccolithophorid *Emiliana huxleyi*, *Photochem. Photobiol.*, 91, 92–101, doi:10.1111/php.12363, 2015.
- Zhang, Y., Bach, L. T., Schulz, K. G., and Riebesell, U.: The modulating effect of light intensity on the response of the coccolithophore *Gephyrocapsa oceanica* to ocean acidification, *Limnol. Oceanogr.*, 60, 2145–2157, doi:10.1002/lno.10161, 2015.

Reproduced with permission of copyright owner.
Further reproduction prohibited without permission.